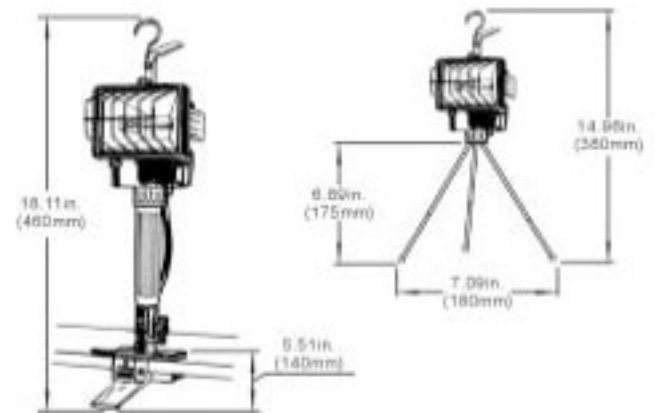


Tungsten Halogen Portable Worklite

Item Number: HLC-150BA

**DIMENSIONS****PART LIST**

No.	Parts Name	Specification	Qty	Remark
1	Housing	Die-cast Aluminum	1	
2	Frame	Die-cast Aluminum	1	
3	Reflector	Aluminum	1	
4	Glass	Tempered Glass	1	
5	Guard Grill	Steel Wire	1	
6	Bulb	150W / 110-130V	1	
7	Clamp	Polycarbonate	1	
8	Power supply cord	SJTW, 18AWG×3C, 105 °C	1	