

Item No.: **SM301**

Applications

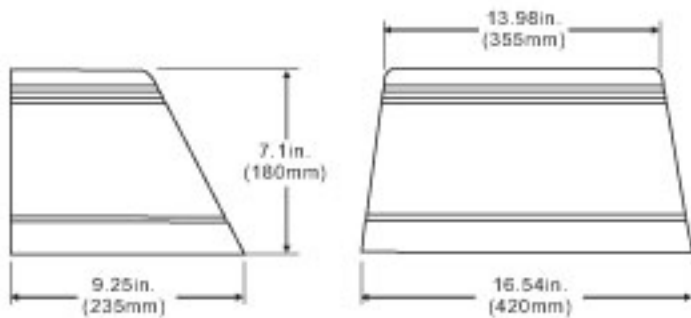
Parking areas, entrances, walkways, underpasses, loading docks, recreation areas, tunnel.

Specification Features

- UL listed for wet locations
- Heavy duty die-cast aluminum powder coating construction
- Heat and impact resistant tempered glass lens
- Dark Architectural Bronze Color
- Powder coated finish on the heavy duty die cast housing
- Silicone rubber included to prevent any leakage from the outside
- One piece anodized aluminum designed reflector for best light efficiency
- Ideal for MH 175 Watts and HPS150 Watts Max



Engineering Dimensions



Line Drawing



Mounting Step of Lighting Fixture



Packing Information

Weights	Cubit Feet	Master Carton Qty	40'Container Qty
11.5LBS	1.17'	1 PC	1700 PCS

