

Item No.: **SM023**



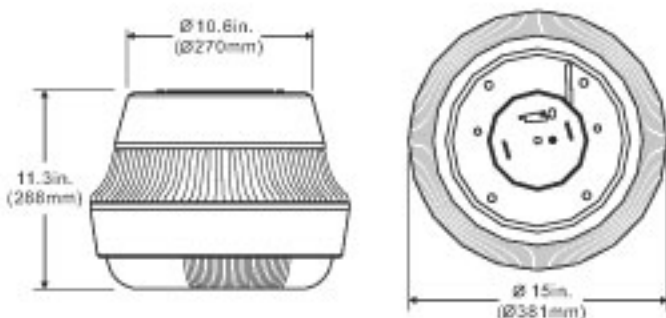
Applications

Parking areas, entrances, walkways, underpasses, loading docks, recreation areas, and on the side of buildings

Specification Features

- UL listed for wet locations
- Heavy duty die-cast aluminum housing
- One piece anodized aluminum designed reflector for best light efficiency
- High impact UV acrylic lens
- For covered ceiling mount only
- Ideal for MH 175 Watts & HPS 150 Watts Max

Engineering Dimensions



Line Drawing



Packing Information

Weights	Cubit Feet	Master Carton Qty	40' Container Qty
16.67LBS	2.0'	1 PC	1000 PCS

