

Item No.: **SM019**

Applications

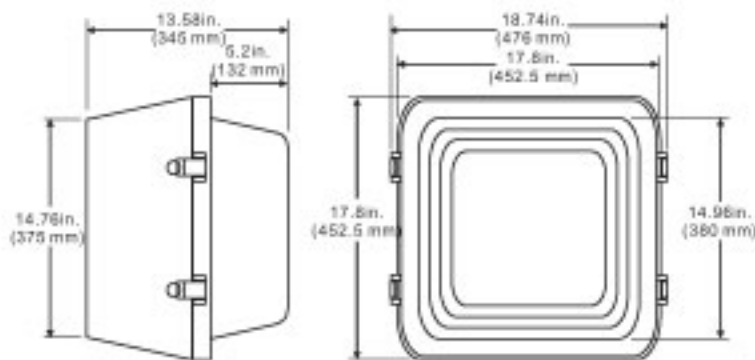
Parking areas, entrances, walkways, underpasses, loading docks, recreation areas.

Specification Features

- UL listed for wet locations
- Heavy duty die-cast aluminum housing with high impact/heat resistant borosilicate glass for ultimate light distribution
- Borosilicate glass is hinge
- Powder coated finish on the heavy duty die cast housing
- Silicone rubber included to prevent any leakage from the outside
- 1/2" tapped holes available for installing photocell (photocell optional)
- One piece anodized aluminum designed reflector for best light efficiency
- Ideal for MH and HPS 400 Watts Max



Engineering Dimensions



Line Drawing



Packing Information

Weights	Cubit Feet	Master Carton Qty	40' Container Qty
32.94LBS	3.157'	1 PC	620 PCS

