

Item No.: **SM012P**

Applications

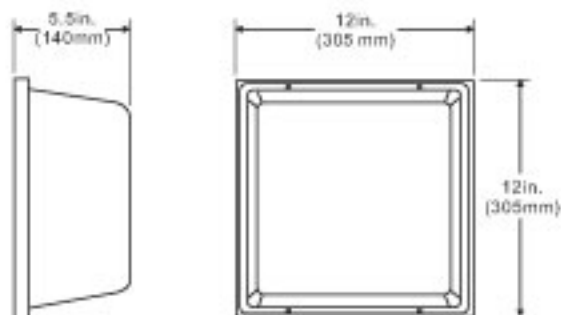
Parking areas, entrances, walkways, underpasses, schools, garages and recreation areas.

Specification Features

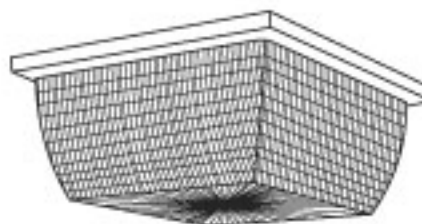
- UL listed for wet locations for ceiling and wall mounting
- High impact polycarbonate lens
- Reflector is die-formed heavy gauge steel in white finish
- Ideal for PL 2X 13Watts Max



Engineering Dimensions



Line Drawing



Packing Information

Weights	Cubit Feet	Master Carton Qty	40' Container Qty
32.9LBS	3.65'	6 PCS	3300 PCS

