

Item No.: **SM012**

Applications

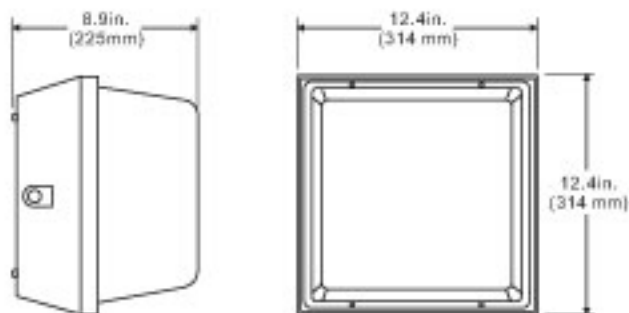
Parking areas, entrances, walkways, underpasses, loading docks, recreation areas.

Specification Features

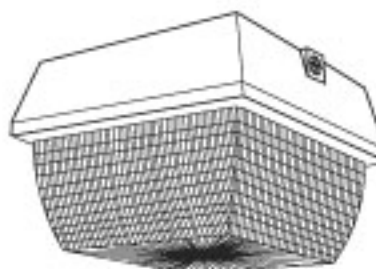
- UL listed for wet locations for ceiling and wall mounting
- Heavy duty die-cast aluminum powder coating construction
- High impact polycarbonate lens
- One piece anodized aluminum designed reflector for best light efficiency
- Silicone rubber included to prevent any leakage from the outside
- 1/2" tapped holes available for installing photocell (photocell optional)
- Ideal for MH 175 Watts, HPS150 Watts and PL 2X 13 Watts Max



Engineering Dimensions



Line Drawing



Packing Information

Weights	Cubit Feet	Master Carton Qty	40' Container Qty
8.11LBS	0.921'	1 PC	2200 PCS

