

Item No.: **SM009**

**Applications**

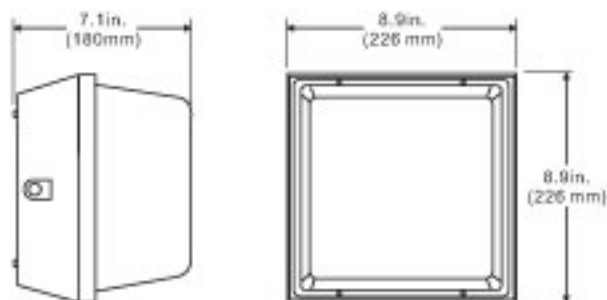
Parking areas, entrances, walkways, underpasses, loading docks, recreation areas.

**Specification Features**

- UL listed for wet locations for ceiling and wall mounting
- Heavy duty die-cast aluminum powder coating construction
- High impact polycarbonate lens
- One piece anodized aluminum designed reflector for best light efficiency
- Silicone rubber included to prevent any leakage from the outside
- 1/2" tapped holes available for installing photocell (photocell optional)
- Ideal for HPS 100 Watts, MH 70 Watts, and PL 2X 9Watts Max



**Engineering Dimensions**



**Line Drawing**



**Packing Information**

Weights	Cubit Feet	Master Carton Qty	40' Container Qty
31.75LBS	2.895'	6 PCS	4200 PCS

