

Item No.: **MV702**



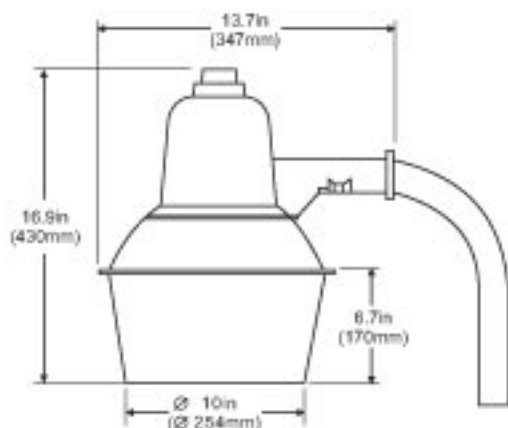
### Applications

Perimeter and security lighting.  
Ideal for loading platforms, barnyards, parking lots, rural homes, public entrances, off-street areas, or other commercial and residential applications.

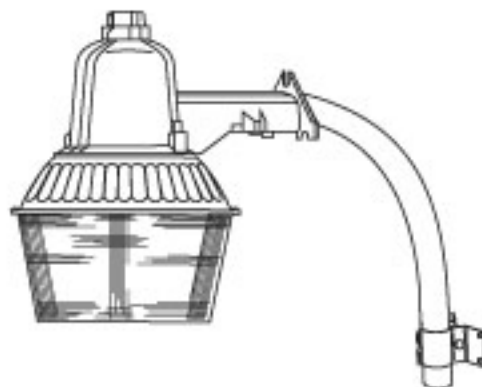
### Specification Features

- UL listed for wet locations
- Precision die cast aluminum housing with natural finish and UV-stabilized PS lens
- Aluminum reflector
- 21", 24" or 30" arm
- Dusk to dawn W/ twist-lock photo control
- Mounting hardware included
- Lampholder E-39, 4KV, UL approved
- Ideal for HPS 150 Watts and MV 175 Watts Max

### Engineering Dimensions



### Line Drawing



### Packing Information

Weights	Cubit Feet	Master Carton Qty	40' Container Qty
11.68LBS	1.809'	1 PC	1000 PCS

