

Item No.: MV175



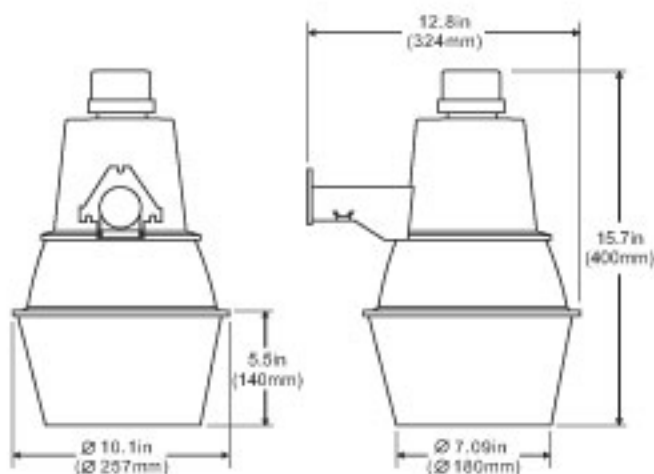
Applications

Perimeter and security lighting.
Ideal for loading platforms, barnyards, parking lots, rural homes, public entrances, off-street areas, or other commercial and residential applications.

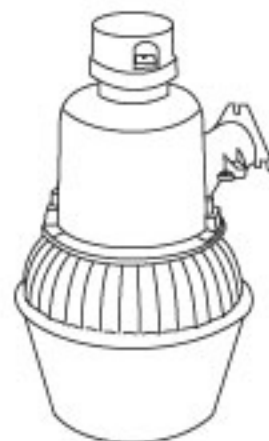
Specification Features

- UL listed for wet locations
- Precision die cast aluminum housing with natural finish and UV-stabilized acrylic lens
- Aluminum reflector
- Dusk to dawn W/ twist-lock photo control
- Mounting hardware included
- Lampholder E-39, 4KV, UL approved
- Ideal for HPS 150 Watts and MV 175 Watts Max

Engineering Dimensions



Line Drawing



Packing Information

| Weights | Cubit Feet | Master Carton Qty | 40' Container Qty |
|---------|------------|-------------------|-------------------|
| 8.64LBS | 0.977' | 1 PC | 2000 PCS |

