

Item No.: **MV100**



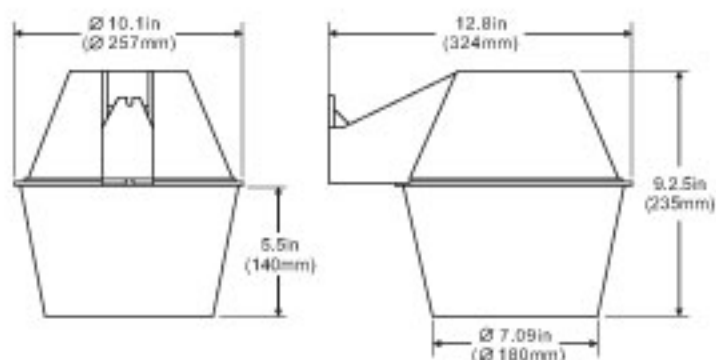
Applications

Perimeter and security lighting.
Ideal for loading platforms, barnyards, parking lots, rural homes, public entrances, off-street areas, or other commercial and residential applications.

Specification Features

- UL listed for wet locations
- High impact ABS housing and UV-stabilized acrylic lens
- Mounting hardware included
- Lampholder E-26, UL approved
- Ideal for HPS 70 Watts and MV 100 Watts Max

Engineering Dimensions



Line Drawing



Packing Information

Weights	Cubit Feet	Master Carton Qty	40' Container Qty
6.48LBS	1.434'	1 PC	1400 PCS

