

Item No.: **LB417-R22A**



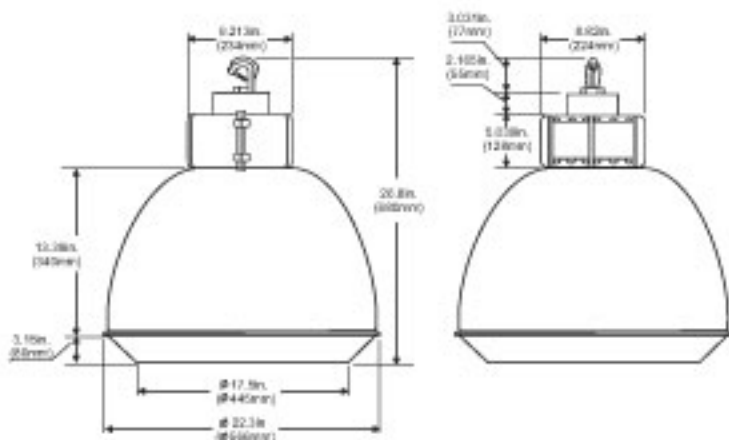
### Applications

For over 20ft. (6 meter) applications factories, foundries, machines shops, warehouse, and large retail stores.

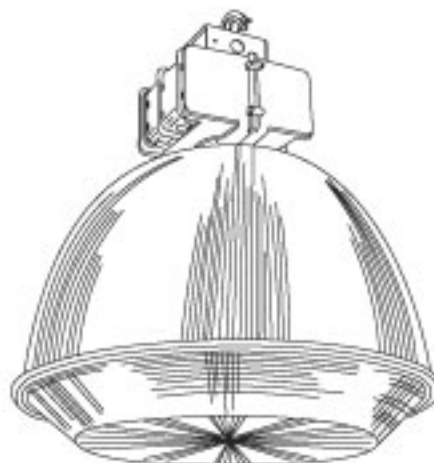
### Specification Features

- UL and CUL listed for damp locations
- Superior heavy duty die cast aluminum construction with white powder coating finish
- Mogul base socket-E39 standard, UL approved
- Comes with a hook for easy mounting
- Anodized aluminum which has been spun and anodized
- Reflector comes in 16 inches or 22 inches
- Ideal for HPS and MH 400 Watts Max

### Engineering Dimensions



### Line Drawing



### Packing Information

	Weights	Cubit Feet	Master Carton Qty	40' Container Qty
LB-417EB	6.39LBS	0.569'	1 PC	3600 PCS
22" Collar(Al)	14.1LBS	1.228'	24PCS	40000 PCS
22" Reflector(Acrylic)	41.4LBS	8.876'	6PCS	1300 PCS
22" Clamp Band(Al)	18.1LBS	3.201'	24PCS	15000 PCS