

## Item No.: IL417-R16A



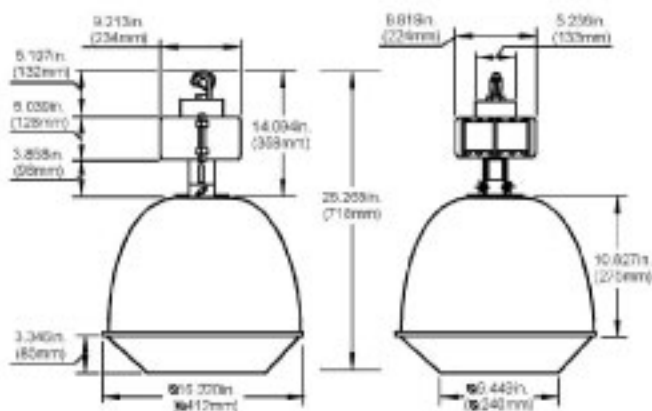
### Applications

For over 20ft. (6 meter) applications factories, foundries, machines shops, warehouse, and large retail stores.

### Specification Features

- UL and CUL listed for damp locations
- Superior heavy duty die cast aluminum construction with white powder coating finish
- Mogul base Socket-E39 Standard, UL approved
- Comes with a hook for easy mounting
- Anodized aluminum which has been spun and anodized
- Reflector comes in 16 inches or 22 inches
- Ideal for HPS and MH 250 Watts Max

### Engineering Dimensions



### Line Drawing



### Packing Information

	Weights	Cubit Feet	Master Carton Qty	40'Container Qty
HB-417EB	6.79LBS	0.569'	1 PC	3600 PCS
16" Collar(Al)	4.19LBS	0.406'	24PCS	120000 PCS
16" Reflector(Acrylic)	18.3LBS	4.145'	6PCS	2900 PCS
16" Clamp Band(Al)	3.62LBS	0.897'	12PCS	27000 PCS
16" Drop Lens(Acrylic)	15.74LBS	1.655'	12PCS	14000 PCS

