

Item No.: **IL417-L22**

### Applications

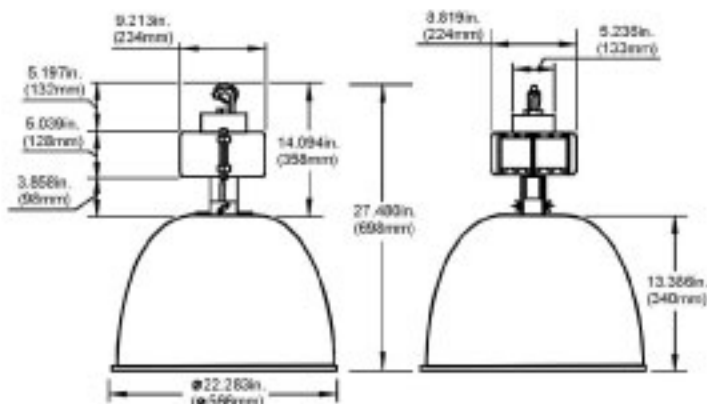
For over 20 ft. (6 meter) applications factories, foundries, machines shops, warehouse, and large retail stores.

### Specification Features

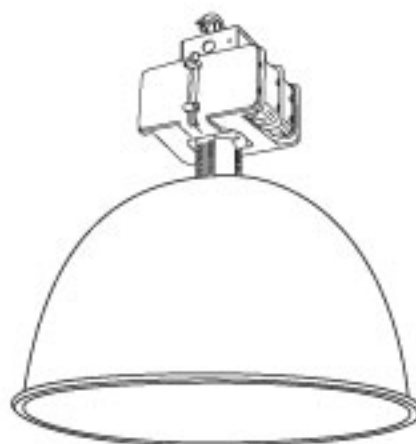
- UL and CUL listed for damp locations
- Superior heavy duty die cast aluminum construction with white powder coating finish
- Mogul base socket-E39 standard, UL approved
- Comes with a hook for easy mounting
- Anodized aluminum which has been spun and anodized
- Reflector comes in 16 inches or 22 inches
- Ideal for HPS and MH 400 Watts Max



### Engineering Dimensions



### Line Drawing



### Packing Information

	Weights	Cubit Feet	Master Carton Qty	40' Container Qty
HB-417EB	6.79LBS	0.569'	1 PC	3600 PCS
22" Reflector(Al)	20.19LBS	5.829'	6PCS	2100 PCS