

Item No.: **IL416-R22A**

Applications

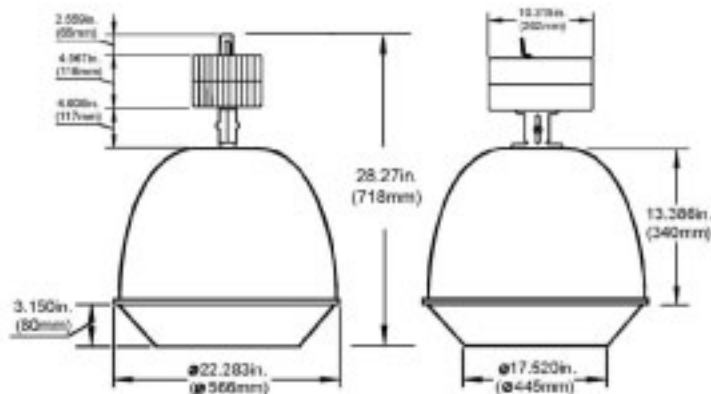
For over 20ft. (6 meter) applications factories, foundries, machines shops, warehouse, and large retail stores.

Specification Features

- UL and CUL listed for damp locations
- Superior heavy duty die cast aluminum construction with white powder coating finish
- Mogul base socket-E39 standard, UL approved
- Comes with a hook for easy mounting
- Anodized aluminum which has been spun and anodized
- Reflector comes in 16 inches or 22 inches
- Ideal for HPS and MH 400 Watts Max



Engineering Dimensions



Line Drawing



Packing Information

	Weights	Cubit Feet	Master Carton Qty	40' Container Qty
HB-416EB	6.44LBS	0.418'	1 PC	4900 PCS
22" Collar(Al)	14.1LBS	1.228'	24PCS	40000 PCS
22" Reflector(Acrylic)	41.4LBS	8.876'	6PCS	1300 PCS
22" Clamp Band(Al)	18.1LBS	3.201'	24PCS	15000 PCS
22" Drop Lens(Acrylic)	21.64LBS	2.83'	12PCS	8000 PCS