

Item No.: **IL416-R16Y**



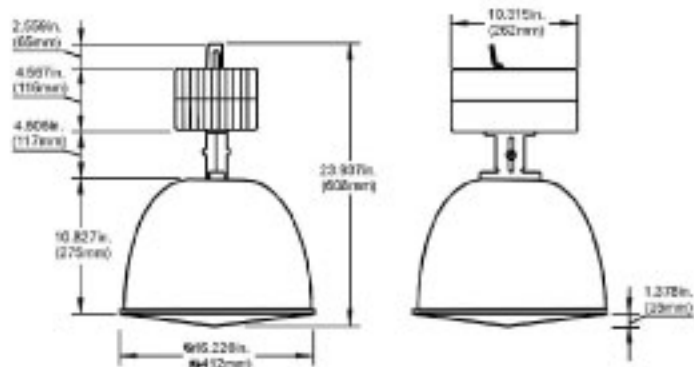
Applications

For over 20ft. (6 meter) applications factories, foundries, machines shops, warehouse, and large retail stores.

Specification Features

- UL and CUL listed for damp locations
- Superior heavy duty die cast aluminum construction with white powder coating finish
- Mogul base socket-E39 standard, UL approved
- Comes with a hook for easy mounting
- Anodized aluminum which has been spun and anodized
- Reflector comes in 16 inches or 22 inches
- Ideal for HPS and MH 250 Watts Max

Engineering Dimensions



Line Drawing



Packing Information

	Weights	Cubit Feet	Master Carton Qty	40'Container Qty
HB-416EB	6.44LBS	0.418'	1 PC	4900 PCS
16" Collar(Al)	4.19LBS	0.406'	24PCS	120000 PCS
16" Reflector(Acrylic)	18.3LBS	4.145'	6PCS	2900 PCS
16" Clamp Band(Al)	3.62LBS	0.897'	12PCS	27000 PCS

