

Item No.: **FL400**



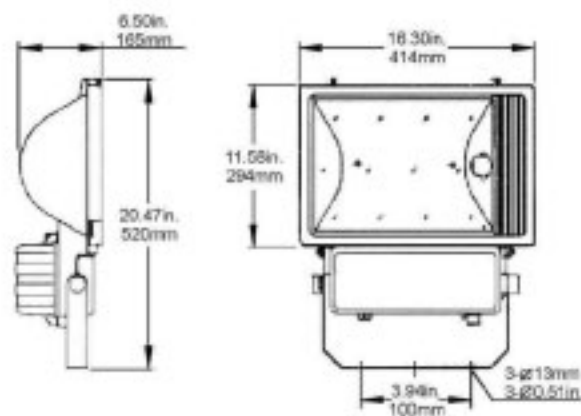
Applications

Ideal for building, outdoor advertising bulletin boards, sports field, highway signs and other general applications where floodlighting may come into use.

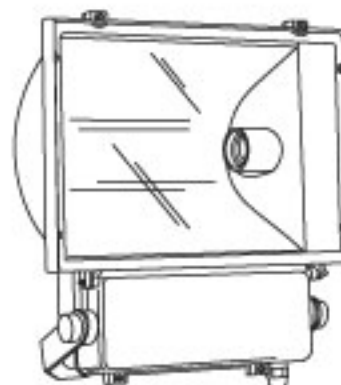
Specification Features

- UL and CUL listed for wet locations
- Heavy duty die-cast aluminum powder coating, construction corrosion resistant hardware
- Silicone rubber included to prevent any leakage from the outside
- Heat and impact resistant tempered glass
- Come with anodized aluminum reflector
- Lampholder E-39, 4KV, UL approved
- Ideal for HPS and MH 400 Watts Max

Engineering Dimensions



Line Drawing



Packing Information

Weights	Cubit Feet	Master Carton Qty	40' Container Qty
12.57LBS	1.13'	1 PC	1600 PCS

