

Item No.: **FL224**



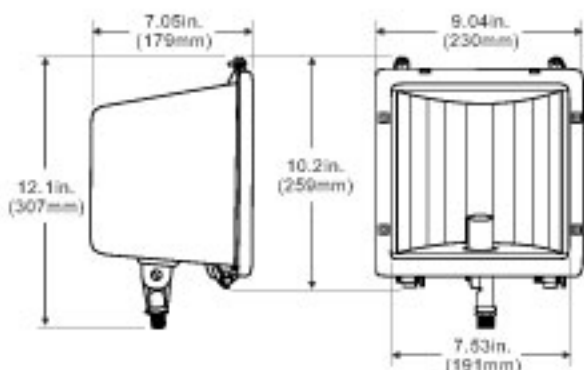
Applications

Ideal for building, back yards, parks, signs, sports field, and other general applications where floodlighting may come into use.

Specification Features

- UL and CUL listed for wet locations
- Heavy duty die-cast aluminum powder coating, construction corrosion resistant hardware
- Silicone rubber included to prevent any leakage from the outside
- Heat and impact resistant tempered glass
- Come with anodized aluminum reflector
- Lampholder E-26, UL approved
- Ideal for HPS150 Watts and MH175 Watts Max

Engineering Dimensions



Line Drawing



Mountings



Mounting Plate



Slip Fitter(SF)

Die cast slip fitter O.D. 2 3/8" tennon size. Slip fitter joint adjusts over 180° arc.

Packing Information

Weights	Cubit Feet	Master Carton Qty	40' Container Qty
44.75LBS	4.235'	6 PCS	2900 PCS

