

Item No.: **FL213**



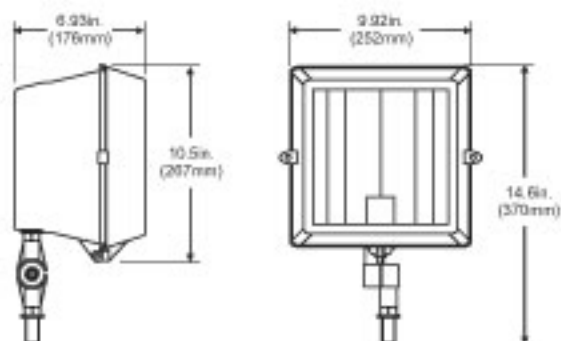
### Applications

Ideal for building, back yards, parks, signs, sports field, and other general applications where floodlighting may come into use.

### Specification Features

- UL and CUL listed for wet locations
- Heavy duty die-cast aluminum powder coating, construction corrosion resistant hardware
- Silicone rubber included to prevent any leakage from the outside
- Heat and impact resistant tempered glass
- Come with anodized aluminum reflector
- Lampholder E-26, UL approved
- Ideal for HPS 150 Watts and MH 175 Watts Max

### Engineering Dimensions



### Line Drawing



### Optional Mounting Plate



### Packing Information

Weights	Cubit Feet	Master Carton Qty	40' Container Qty
7.165LBS	0.632'	1 PC	3200 PCS

