

Item No.: **FL208**



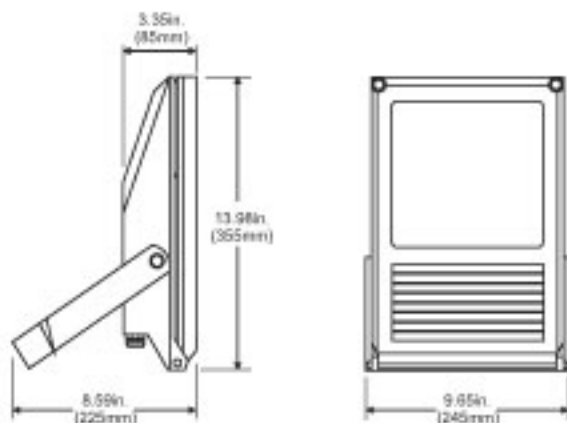
Applications

Ideal for building, outdoor advertising bulletin boards, sports field, highway signs and other general applications where floodlighting may come into use.

Specification Features

- Heavy duty die-cast aluminum powder coating, construction corrosion resistant hardware
- Silicone rubber included to prevent any leakage from the outside
- Heat and impact resistant tempered glass
- Come with anodized aluminum reflector
- Lampholder R7S, UL approved
- Ideal for HPS and MH150 Watts Max

Engineering Dimensions



Line Drawing



Packing Information

Weights	Cubit Feet	Master Carton Qty	40' Container Qty
6.834LBS	0.28'	1 PC	7000 PCS

