

Item No.: **FL207**



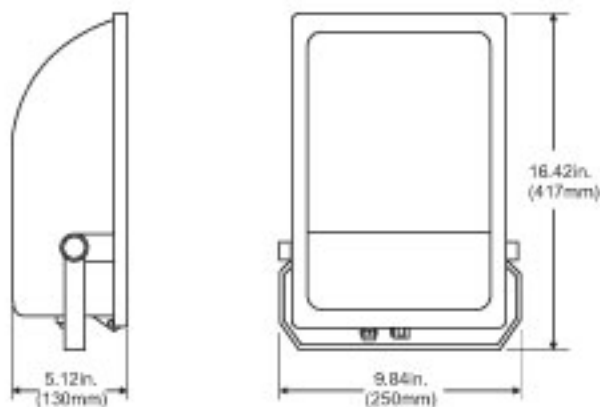
Applications

Ideal for building, outdoor advertising bulletin boards, sports field, highway signs and other general applications where floodlighting may come into use.

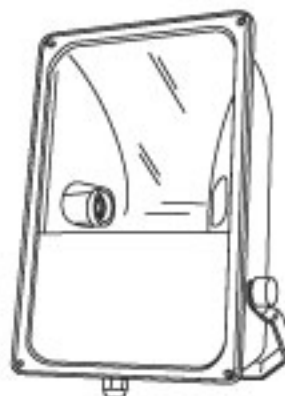
Specification Features

- Heavy duty die-cast aluminum powder coating, construction corrosion resistant hardware
- Silicone rubber included to prevent any leakage from the outside
- Heat and impact resistant tempered glass
- Come with anodized aluminum reflector
- Lampholder E-26 or R7S, UL approved
- Ideal for HPS and MH 150 Watts Max

Engineering Dimensions



Line Drawing



Packing Information

Weights	Cubit Feet	Master Carton Qty	40' Container Qty
8.47LBS	0.58'	1 PC	3200 PCS

