

Item No.: **FL201**



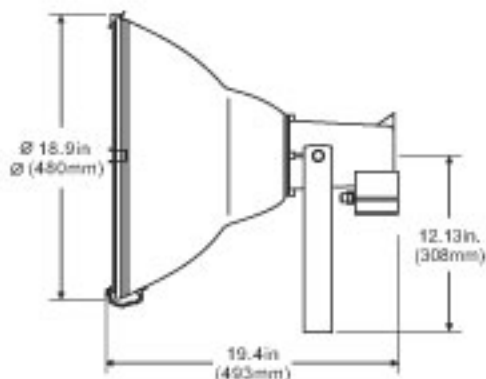
Applications

Ideal for building, back yards, parks, signs, sports field, and other general applications where floodlighting may come into use.

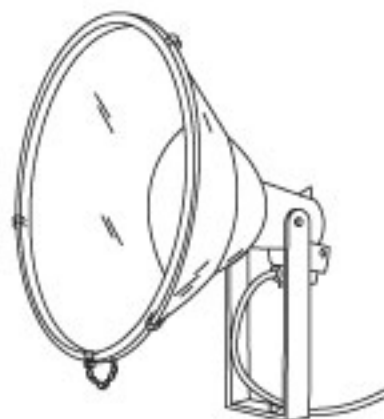
Specification Features

- Heavy duty die-cast aluminum, construction corrosion resistant hardware
- Silicone rubber included to prevent any leakage from the outside
- Heat and impact resistant tempered glass
- Come with anodized aluminum reflector
- Lampholder E-39, 4KV, UL approved
- Ideal for HPS and MH 1000 Watts Max

Engineering Dimensions



Line Drawing



Electric Box

Item No.: **EB-2000**
12.6" X 9.45" X 7.56"



Packing Information

Weights	Cubit Feet	Master Carton Qty	40' Container Qty
17.72LBS	4.37'	1 PC	450 PCS

