

Item No.: *Fi7380*



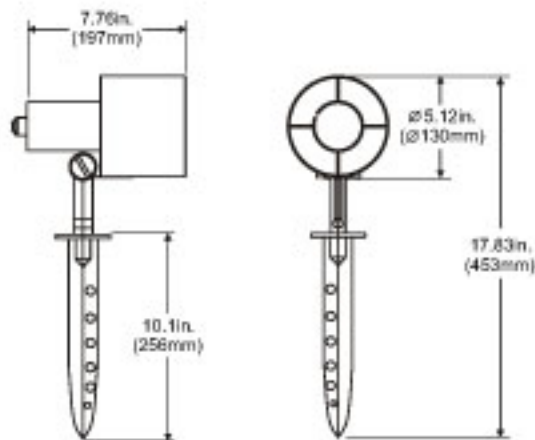
Applications

Ideal for building, back yards, parks, signs, sports field, and other general applications where floodlighting may come into use.

Specification Features

- UL and CUL listed for wet locations
- Heavy duty die-cast aluminum powder coating, construction corrosion resistant hardware
- Lampholder E-26, UL approved
- Ideal for INCAN PAR38 100 Watts Max

Engineering Dimensions



Line Drawing



Packing Information

Weights	Cubit Feet	Master Carton Qty	40' Container Qty
21.9LBS	2.391'	6PCS	5100 PCS

