

Item No.: AR826-SF



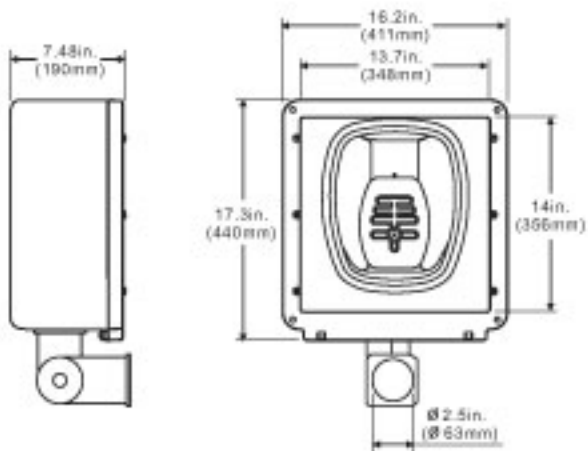
Applications

For walkways, driveways, tennis courts, malls, shopping centers, commercial and industrial complexes, residential areas, and parkway lighting.

Specification Features

- UL and CUL listed for wet location
- Heavy duty die-cast aluminum housing
- Heat and impact resistant tempered glass lens
- Standard with mogul base socket-E39, 4KV, UL approved
- Polyester powder paint finish standard for architectural metallic bronze finish
- A silicone gasket for weather seal
- Ideal for HPS and MH 400 Watts Max

Engineering Dimensions



Line Drawing



Packing Information

Weights	Cubit Feet	Master Carton Qty	40' Container Qty
21.25LBS	2.325'	1 PC	850 PCS

