

Item No.: **AR822-TR**



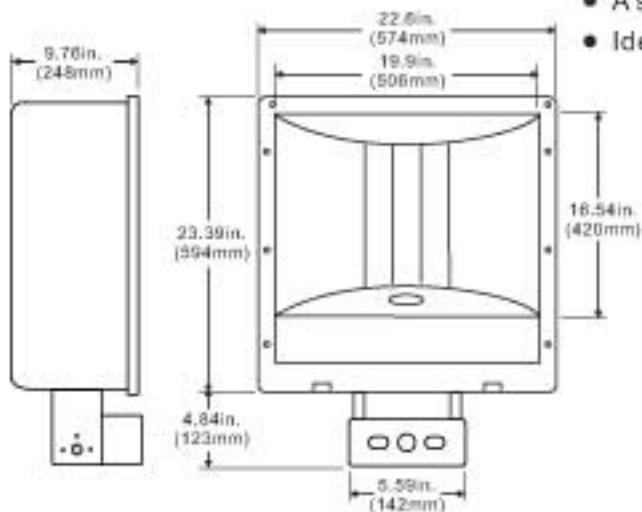
**Applications**

For walkways, driveways, tennis courts, malls, shopping centers, commercial and industrial complexes, residential areas, and parkway lighting.

**Specification Features**

- UL and CUL listed for wet location
- Heavy duty die-cast aluminum housing
- Heat and impact resistant tempered glass lens
- Standard with mogul base socket-E39, 4KV, UL approved
- Polyester powder paint finish standard for architectural metallic bronze finish
- A silicone gasket for weather seal
- Ideal for HPS and MH 1000 Watts Max

**Engineering Dimensions**



**Line Drawing**



**Assembly Parts**



Vandal Shield

Wire Guard

Visor

**Packing Information**

Weights	Cubit Feet	Master Carton Qty	40' Container Qty
37.24LBS	4.434'	1 PC	450 PCS

