

Item No.: **AR816-TR**



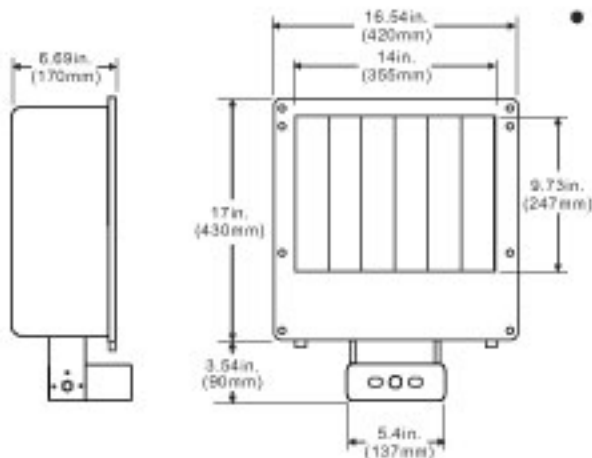
### Applications

For walkways, driveways, tennis courts, malls, shopping centers, commercial and industrial complexes, residential areas, and parkway lighting.

### Specification Features

- UL and CUL listed for wet location
- Heavy duty die-cast aluminum housing
- Heat and impact resistant tempered glass lens
- Standard with mogul base socket-E39, 4KV, UL approved
- Polyester powder paint finish standard for architectural metallic bronze finish
- A silicone gasket for weather seal
- Ideal for HPS and MH 400 Watts Max

### Engineering Dimensions



### Line Drawing



### Assembly Parts



Vandal Shield

Wire Guard

Visor

### Packing Information

Weights	Cubit Feet	Master Carton Qty	40' Container Qty
19.82LBS	2.325'	1 PC	850 PCS

