

Item No.: **AR802-2**

Applications

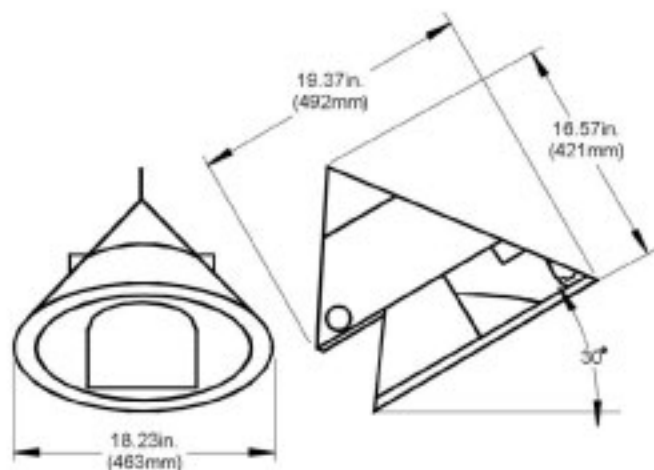
For walkways, driveways, tennis courts, malls, shopping centers, commercial and industrial complexes, residential areas, and parkway lighting.

Specification Features

- UL and CUL listed for wet location
- Heavy duty die-cast aluminum housing
- Heat and impact resistant tempered glass lens
- Polyester powder paint finish standard for architectural metallic bronze finish
- Optional "U" is available for landscape mounting
- A silicone gasket for weather seal
- Ideal for MH 250 Watts Max



Engineering Dimensions



Line Drawing



Packing Information

Weights	Cubit Feet	Master Carton Qty	40' Container Qty
23.15LBS	3.78'	1 PC	520 PCS

